



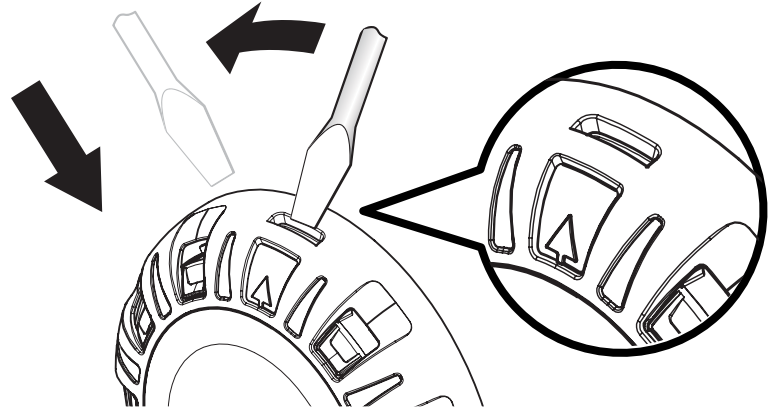
LIGHT REMOVAL

TOOLS REQUIRED

- Flat-blade screw driver

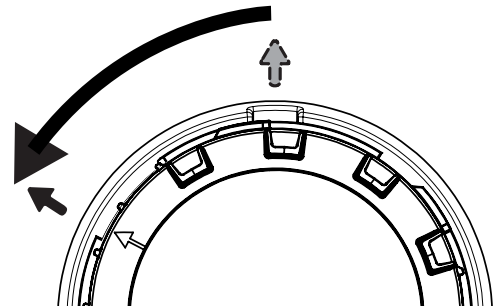
1: PUSH AND LEVER OFF LIGHT RIM WITH FLAT BLADE

INSERT FLAT BLADE SCREWDRIVER INTO NICHE ABOVE TOP 12 O'CLOCK ARROW AND LEVER OFF LIGHT RIM



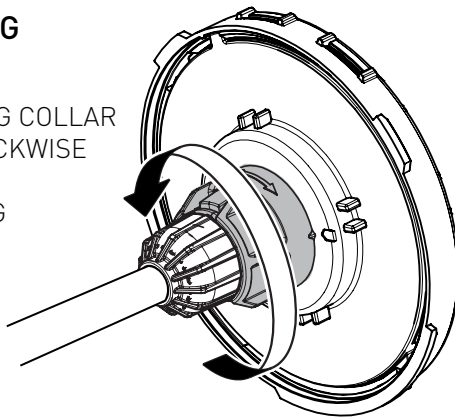
2: ROTATE AND PULL OUT LIGHT ASSEMBLY

ROTATE LIGHT ASSEMBLY COUNTER-CLOCKWISE SO THE ARROW ON THE LIGHT ASSEMBLY IS AT 10 O'CLOCK AND THEN PULL OUT THE LIGHT ASSEMBLY FROM NICHE



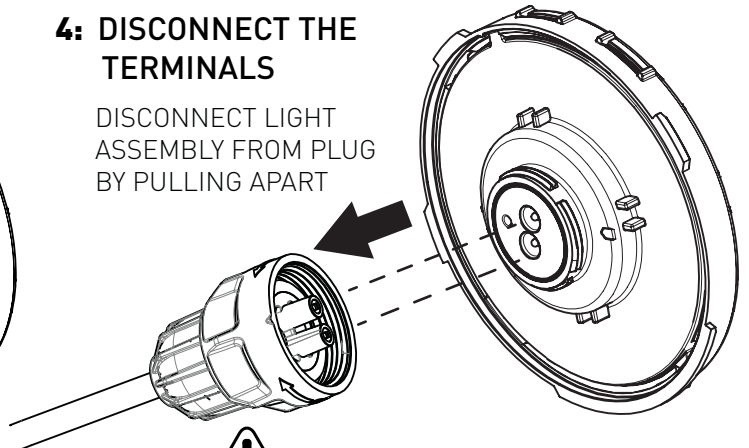
3: REMOVE PLUG FROM LIGHT

UNSCREW PLUG COLLAR COUNTER-CLOCKWISE UNTIL IT IS FREE SPINNING



4: DISCONNECT THE TERMINALS

DISCONNECT LIGHT ASSEMBLY FROM PLUG BY PULLING APART



STORAGE

ENSURE LIGHT ASSEMBLY AND LIGHT RIM IS SAFELY STORED FOR NEXT SEASON USE

IMPORTANT NOTES

- Lights must be removed from pool wall and cable disconnected via plug connection & stored in a safe place.
- Winterization Cover must be fitted to Plug Top prior to reinstalling into niche for winter.
- Unless niche/conduit connection is adequately sealed (i.e. via included cable gland components), pool water level must be drained down 12" below the lowest light(s) position in pool wall.
- All conduits should be checked for accumulated water and drained if required.
- Follow instructions OR consult your local pool professional for complete pool winterization process.
- All installation steps should be carried out with manual tools only. The use of power tools during installation is **not** recommended as these devices can cause faults and damage to light components.
- Images are for illustrative purposes only. Appearances of parts and assemblies may vary from the illustrations.

PRODUCT SUPPORT & INFORMATION

For the most up to date installation information and contact information for assistance in your region, please visit www.spaelectrics.com

Spa Electrics[®]

www.spaelectrics.com |

Toll Free: 1800 708 5545

Email: info@spaelectrics.com

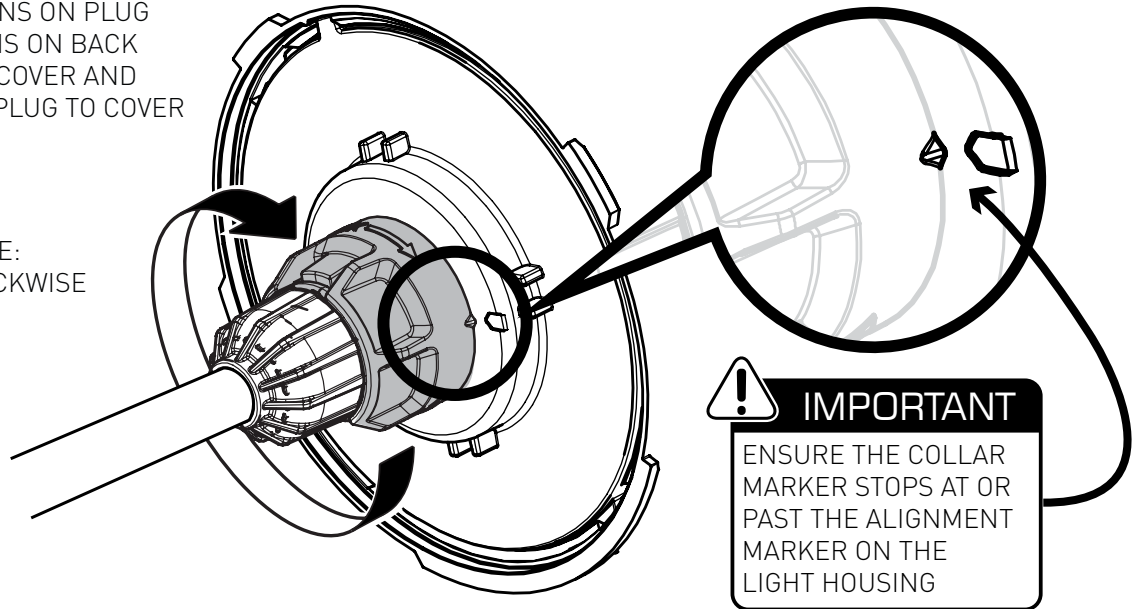


WINTERIZATION COVER ATTACHMENT

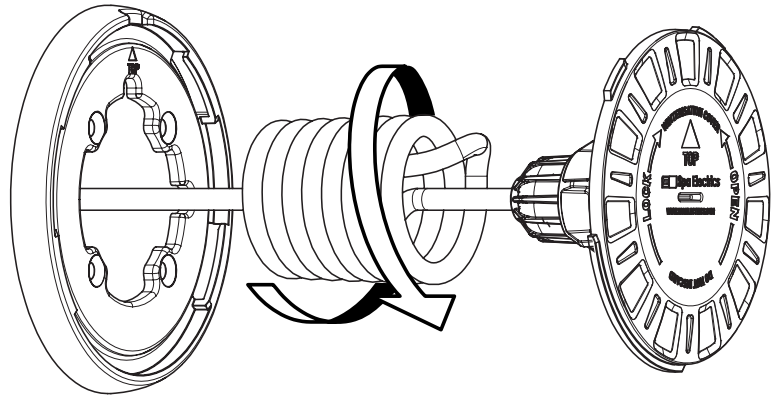
1: CONNECT WINTERIZATION COVER TO PLUG

ALIGN TERMINAL PINS ON PLUG WITH TERMINAL PINS ON BACK OF WINTERIZATION COVER AND FIRMLY ASSEMBLE PLUG TO COVER

TO LOCK INTO PLACE: TWIST COLLAR CLOCKWISE A FEW TIMES UNTIL IT'S HAND TIGHT

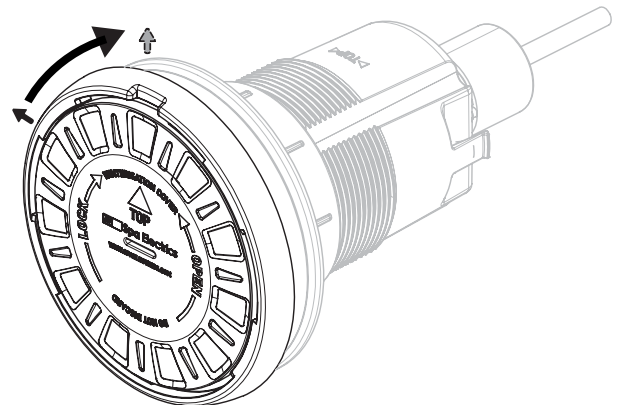


2: COIL CABLE BACK INTO NICHE



3: LOCK ON WINTERIZATION COVER

PLACE WINTERIZATION COVER ONTO CLAMP RING AT 10 O'CLOCK AND TURN CLOCKWISE TO 12 O'CLOCK TO LOCK INTO PLACE



PRODUCT SUPPORT & INFORMATION

For the most up to date installation information and contact information for assistance in your region, please visit www.spaelectrics.com

Spa Electrics®

www.spaelectrics.com |

Toll Free: 1800 708 5545

Email: info@spaelectrics.com